



## PRODUCT INFORMATION SHEET



### MEGA MACHAN TOWERS

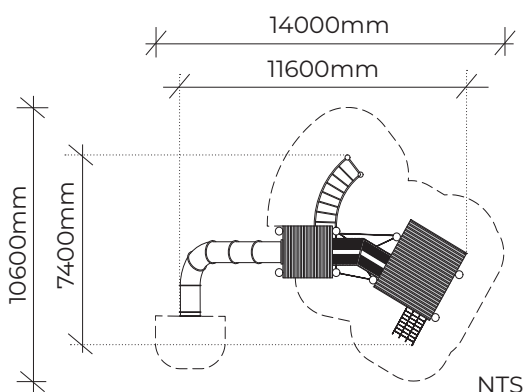
Product code: 152-MMT

Category: Elevated Platforms (100-series)

Dimensions: L 7400mm x W 11600mm  
Platforms H 1500/3800/4200mm

Fall zone: 14000 x 10600mm

Features: Two towers with bridge, 3.4m tube slide, climbing nets, rope platform, shop front, fireman's pole, cantilevered viewing platform, talking tubes, and more.



The timber is mostly West Australian Jarrah hardwood, and timber characteristics and dimensions may naturally vary.

All of our equipment and colours can be customised to suit your playground requirements.

**VAN RYT**  
INDUSTRIES

0421 825 520

[vanrytindustries.com.au](http://vanrytindustries.com.au)