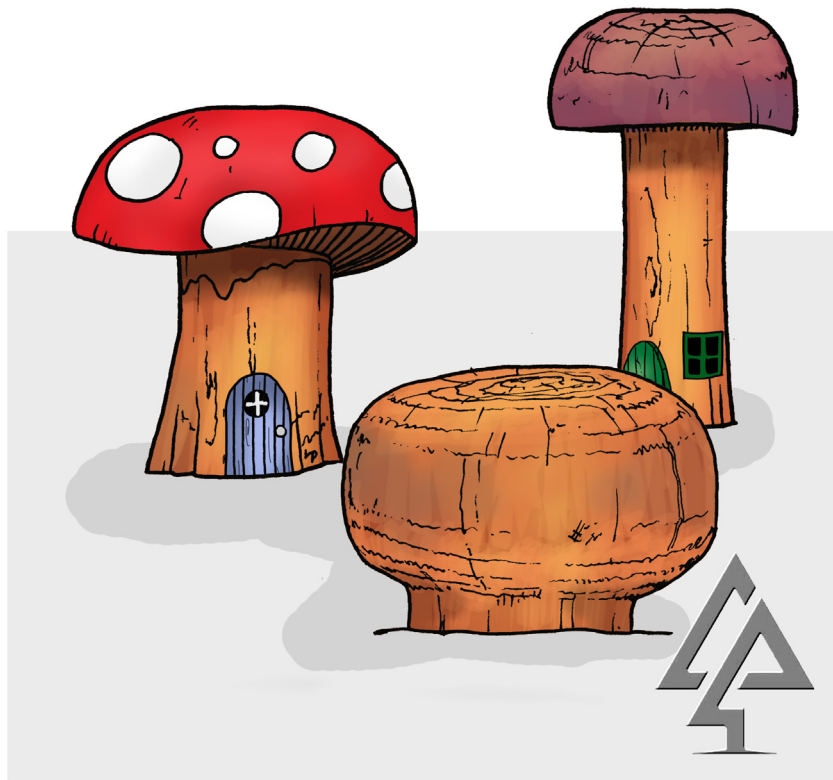




## PRODUCT INFORMATION SHEET



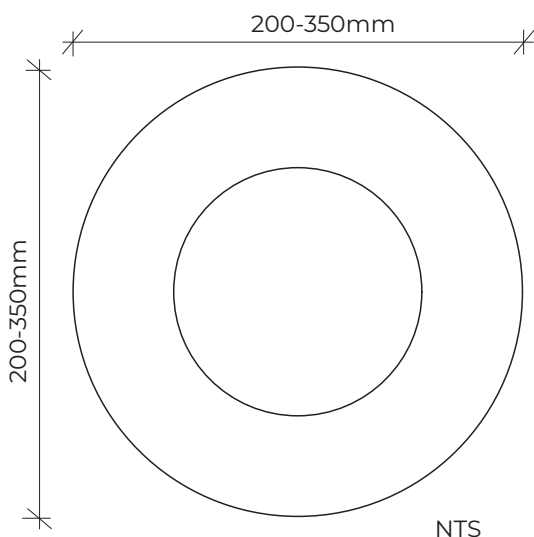
### TOAD STOOLS

**Product code:** 016-SHR

**Category:** Woodland Trail (000-Series)

**Dimensions:** W 200-350mm dia. (Varies)  
H 200-450mm (Varies)

**Fall zone:** No fall zone required



All timber is West Australian Jarrah hardwood.

Timber characteristics and dimensions naturally vary and can be customised to suit your playground needs.

**VAN RYT**  
INDUSTRIES

0421 825 520

[vanrytindustries.com.au](http://vanrytindustries.com.au)