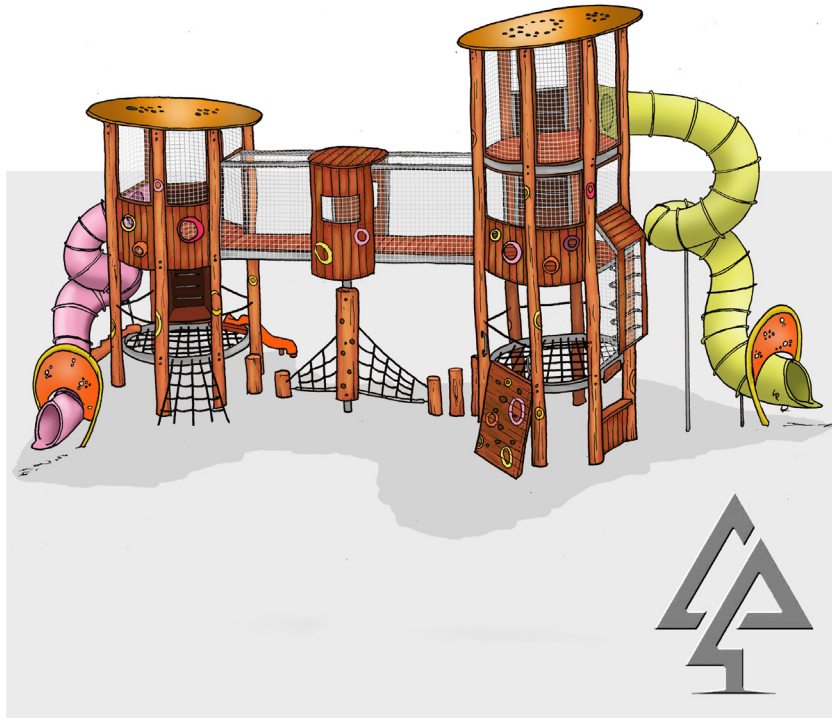




PRODUCT INFORMATION SHEET



MANIANA MANIA TOWERS

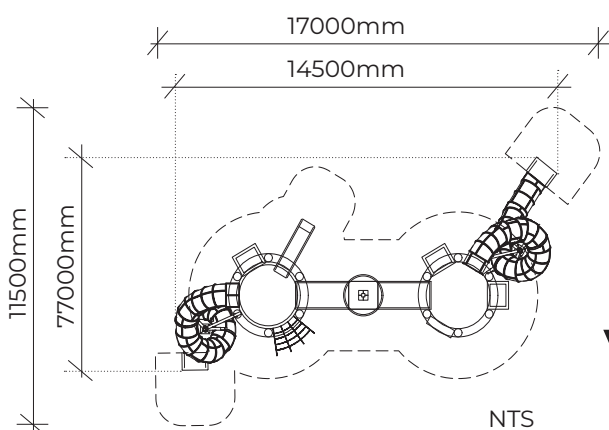
Product code: 148-MAN

Category: Elevated Platforms (100-series)

Dimensions: W 7700mm x L 14400mm x H 7200mm

Fall zone: 11500mm x 17000mm

Features: 2No. tube slides, climbing nets, rope platform, tunnel ladder, bridges, climbing wall, log steps, servery counter, rope climbers, standard slide and more.



The timber is mostly West Australian Jarrah hardwood, and timber characteristics and dimensions may naturally vary.

All of our equipment and colours can be customised to suit your playground requirements.

VAN RYT
INDUSTRIES

0421 825 520

vanrytindustries.com.au