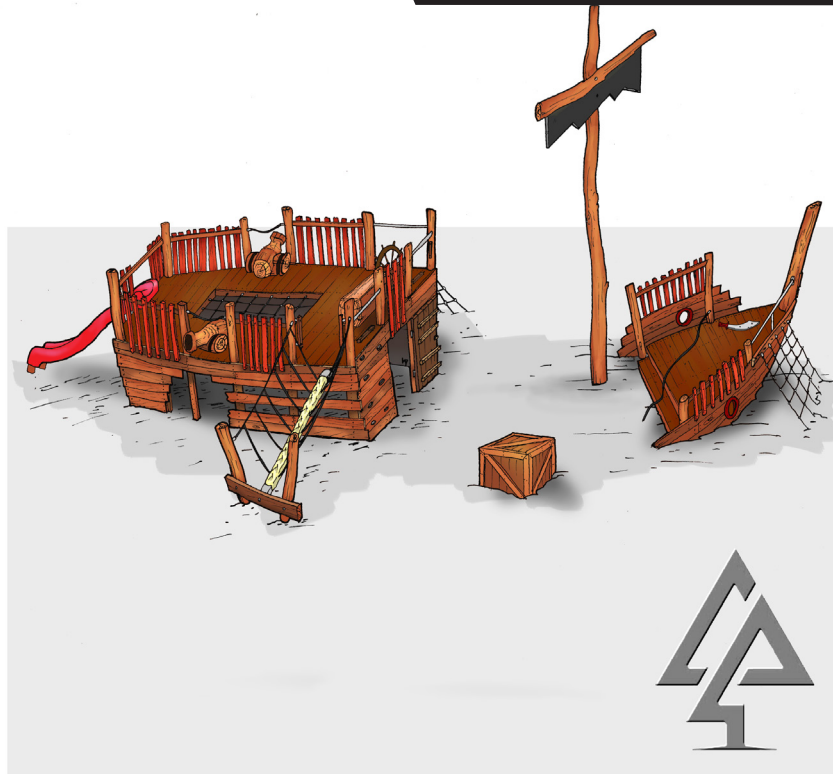




PRODUCT INFORMATION SHEET



SUNKEN SHIP

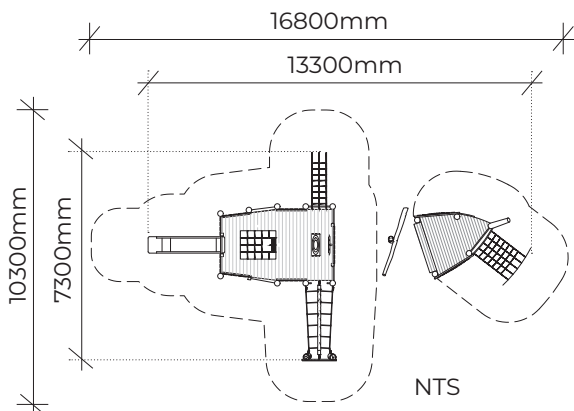
Product code: 512-SHF

Category: On The Move (500-series)

Dimensions: W 7300mm x L 13300mm x H 3000mm

Fall zone: 10300mm x 16800mm

Features: Climbing wall, rope traverse, climbing nets, slide, tunnels and more



The timber is mostly West Australian Jarrah hardwood, and timber characteristics and dimensions may naturally vary.

All of our equipment and colours can be customised to suit your playground requirements.

VAN RYT
INDUSTRIES

0421 825 520

vanrytindustries.com.au