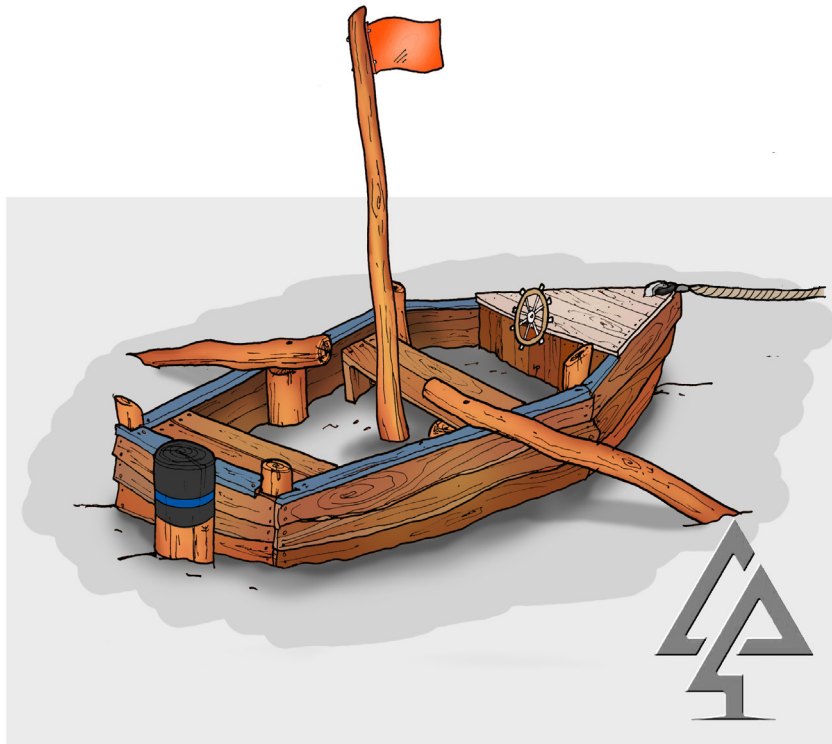




PRODUCT INFORMATION SHEET



BOAT

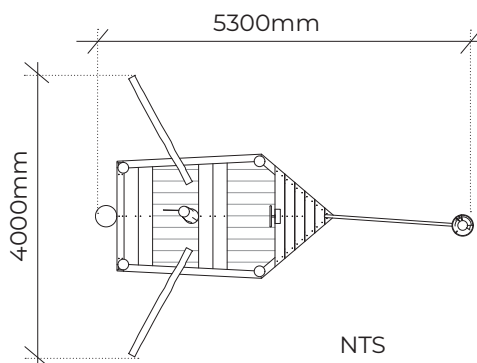
Product code: 507-BOA

Category: On The Move (500-series)

Dimensions: W 4000mm x L 5300mm x H 2500mm

Fall zone: No fall zone required

Features: Rope traverse mooring rope, mast, oars and steering wheel



The timber is mostly West Australian Jarrah hardwood, and timber characteristics and dimensions may naturally vary.

All of our equipment and colours can be customised to suit your playground requirements.

VAN RYT
INDUSTRIES

0421 825 520

vanrytindustries.com.au