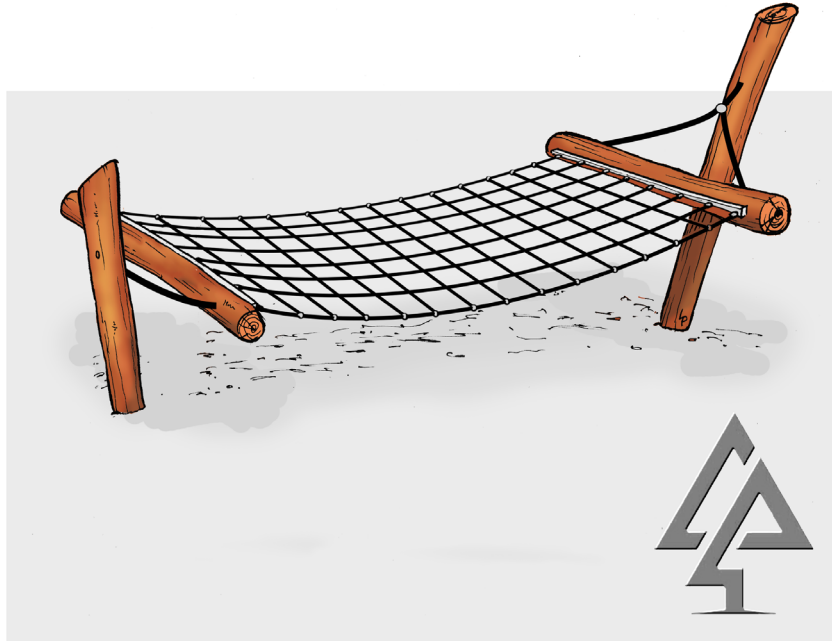




PRODUCT INFORMATION SHEET



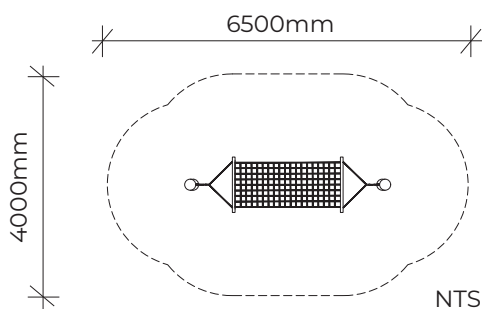
SWINGING HAMMOCK

Product code: 413-HMS

Category: Rope Features (400-Series)

Dimensions: L 3700mm x W 1000mm
H 1500mm

Fall zone: 6500mm x 4000mm



All timber is West Australian Jarrah hardwood.

Timber characteristics and dimensions naturally vary and can be customised to suit your playground needs.

VAN RYT
INDUSTRIES

0421 825 520

vanrytindustries.com.au