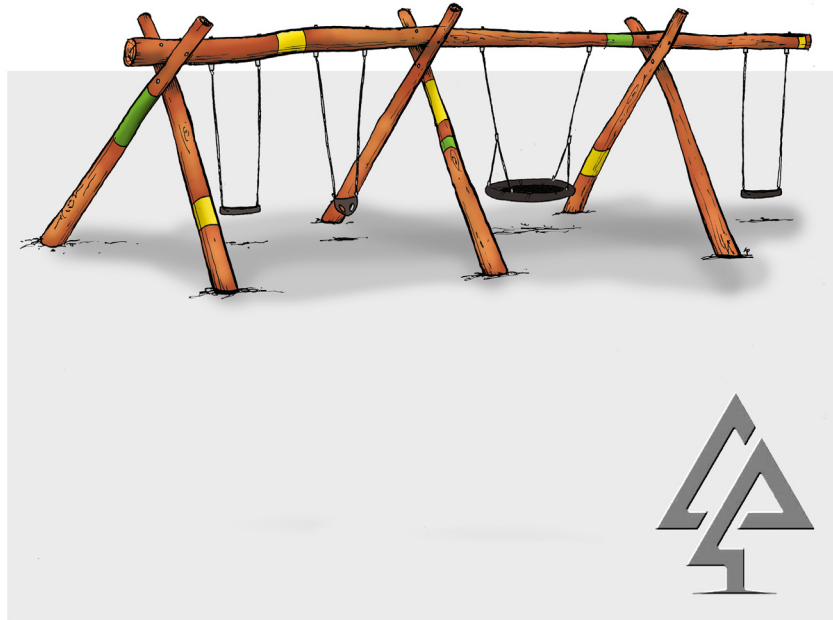




PRODUCT INFORMATION SHEET



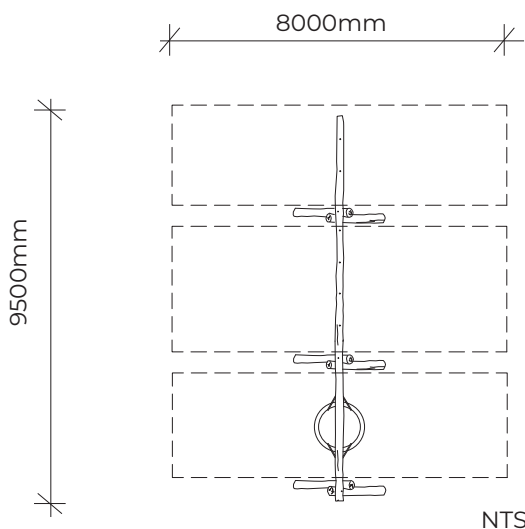
TRIPLE A-FRAME with BASKET and TRIPLE SWINGS

Product code: 206-TAS

Category: Swing Sets (200-Series)

Dimensions: L 9500mm x W 8000mm x H 3000mm

Features: Basket, toddler & double standard swings



All timber is West Australian Jarrah hardwood.

Timber characteristics and dimensions naturally vary and can be customised to suit your playground needs.

VAN RYT
INDUSTRIES

0421 825 520

vanrytindustries.com.au