



## PRODUCT INFORMATION SHEET



### BIG SANDY TOWERS

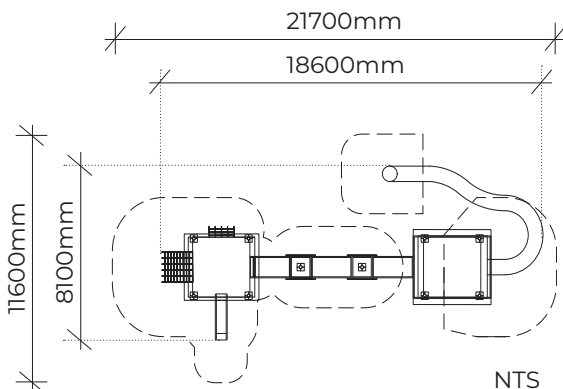
Product code: 144-BSA

Category: Elevated Platforms (100-series)

Dimensions: W 8100mm x L 18600mm x H 8700mm  
Platforms H Various

Fall zone: 11600mm x 21700mm

Features: Split height platforms with bridge/island link, rope nets, ladders, giant tunnel slide, standard slide, log stairs and more



The timber is mostly West Australian Jarrah hardwood, and timber characteristics and dimensions may naturally vary.

All of our equipment and colours can be customised to suit your playground requirements.

**VAN RYT**  
INDUSTRIES

0421 825 520

[vanrytindustries.com.au](http://vanrytindustries.com.au)