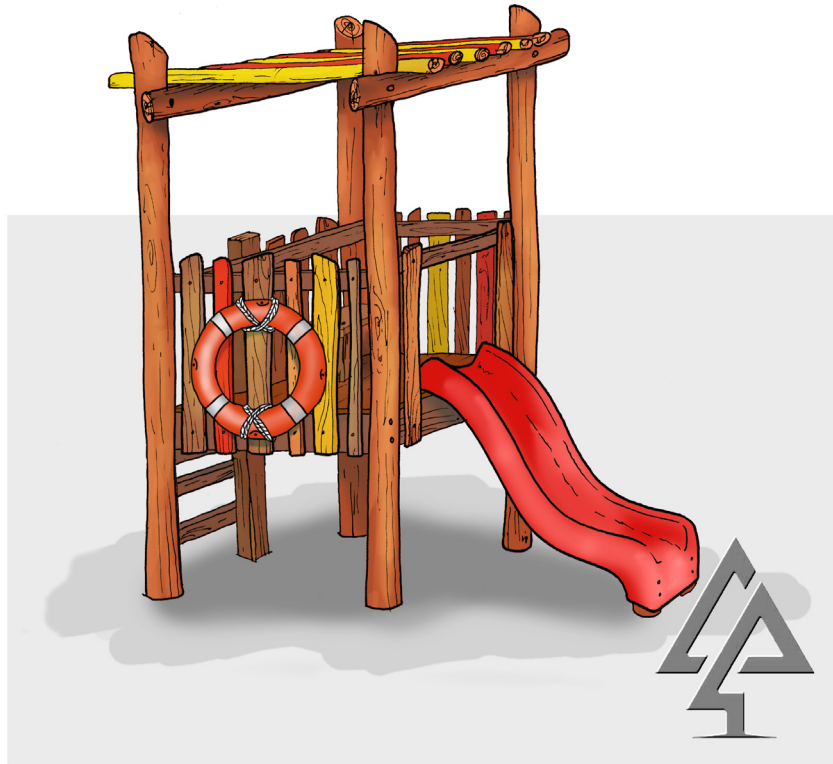




PRODUCT INFORMATION SHEET



BEACH SHACK - TYPE B

Product code: 123-BCB

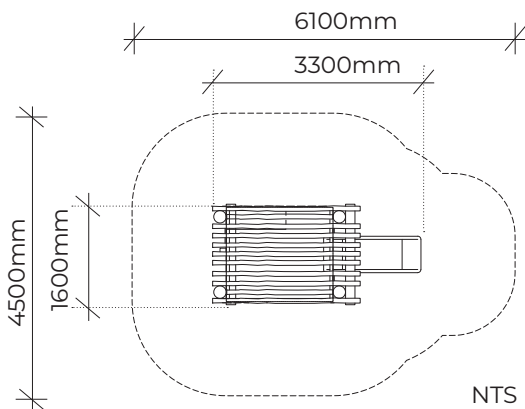
Category: Elevated Platforms (100-series)

Dimensions: W 1600mm x L 3300mm

Platform H 900mm

Fall zone: 4500mm x 6100mm

Features: Roofed platform, ladder, bench seat, life ring & slide, red & yellow colour theme



The timber is mostly West Australian Jarrah hardwood, and timber characteristics and dimensions may naturally vary.

All of our equipment and colours can be customised to suit your playground requirements.

VAN RYT
INDUSTRIES

0421 825 520

vanrytindustries.com.au