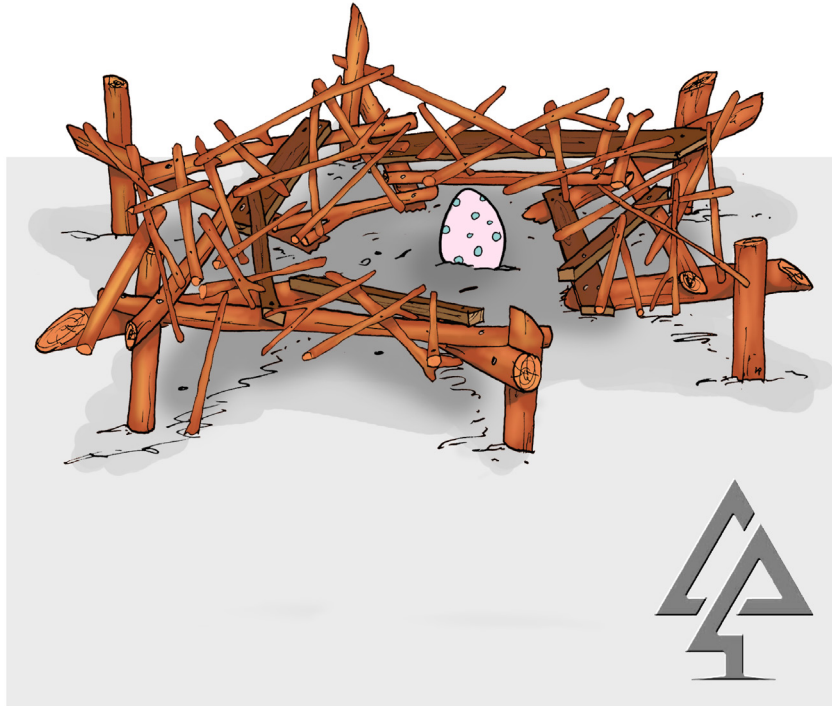




PRODUCT INFORMATION SHEET



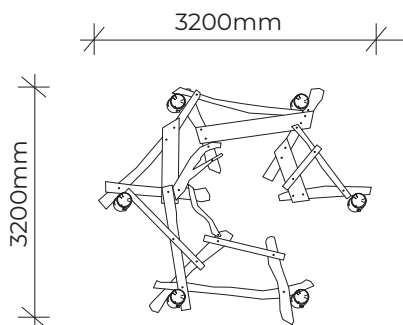
BIRD NEST SCRAMBLE

Product code: 332-NES

Category: Imagination Play Items (300-Series)

Dimensions: Dia. 3200mm x H 600mm

Fall zone: No fall zone required



NTS

All timber is West Australian Jarrah hardwood.

Timber characteristics and dimensions naturally vary and can be customised to suit your playground needs.

*Eggs shown for illustrative purposes only, not included in the product.

VAN RYT
INDUSTRIES

0421 825 520

vanrytindustries.com.au