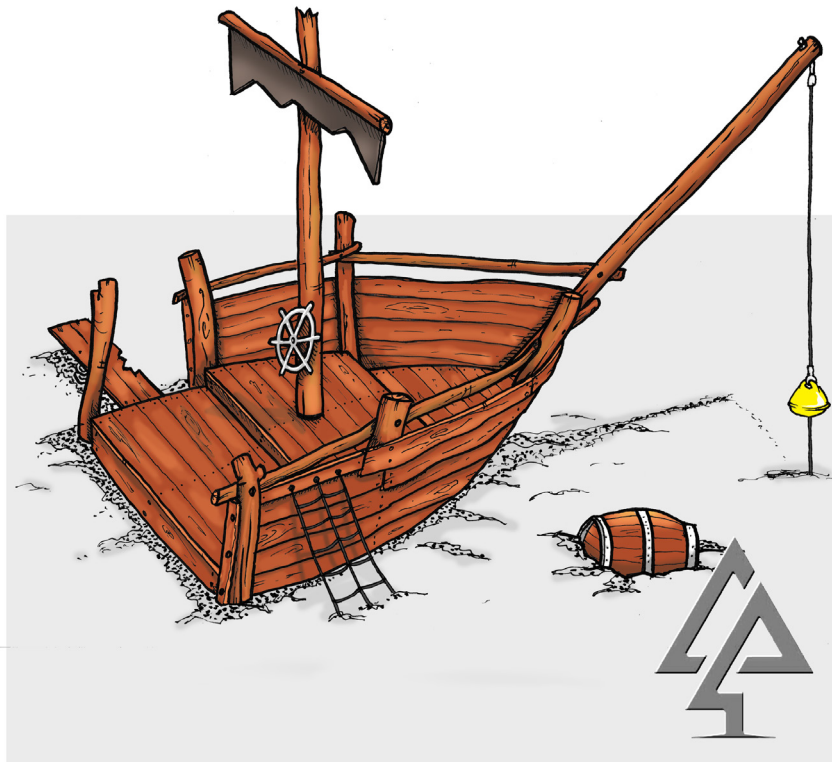




PRODUCT INFORMATION SHEET



SHIP BOW

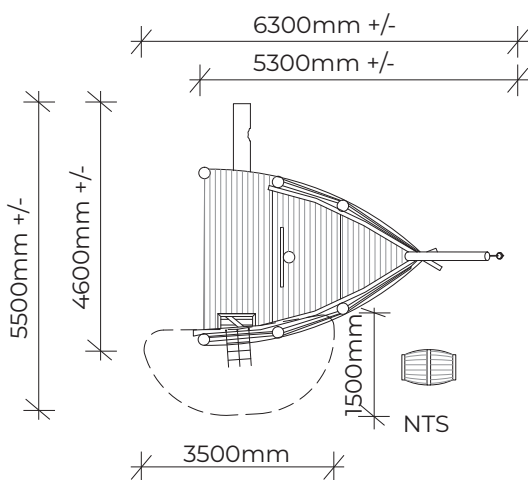
Product code: 502-SHI

Category: On The Move (500-Series)

Dimensions: W 4600mm x L 5300mm +/-

Fall zone: 3000mm x 2000mm (around net)

Features: Cargo net, helm wheel, wobble plank, pommel buoy



All timber is West Australian Jarrah hardwood.

Timber characteristics and dimensions naturally vary and can be customised to suit your playground needs.

VAN RYT
INDUSTRIES

0421 825 520

vanrytindustries.com.au