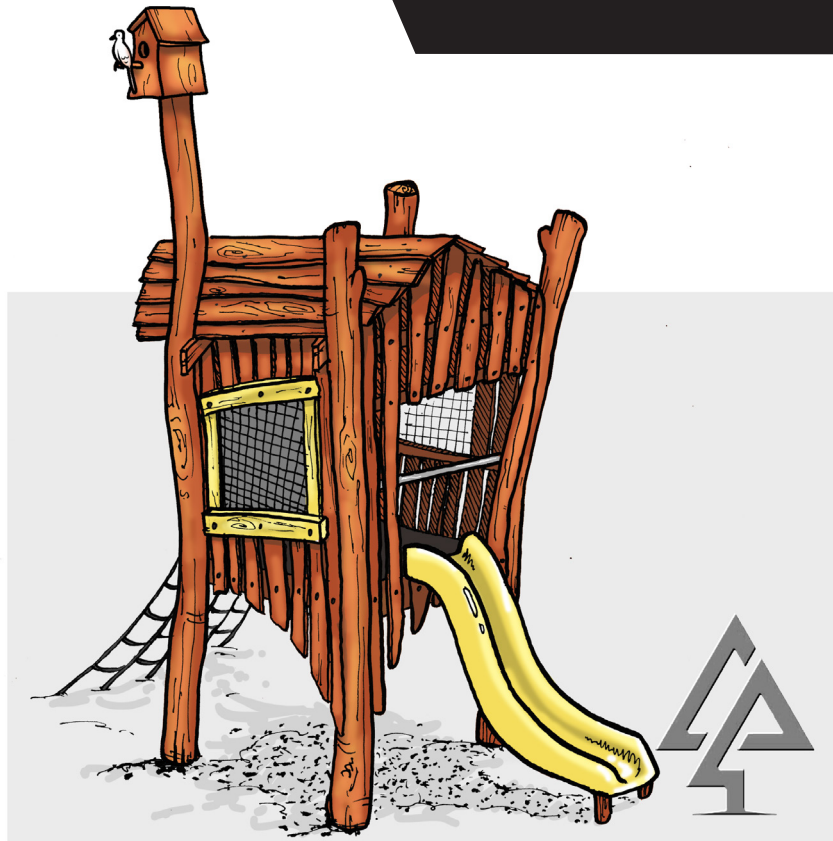




PRODUCT INFORMATION SHEET



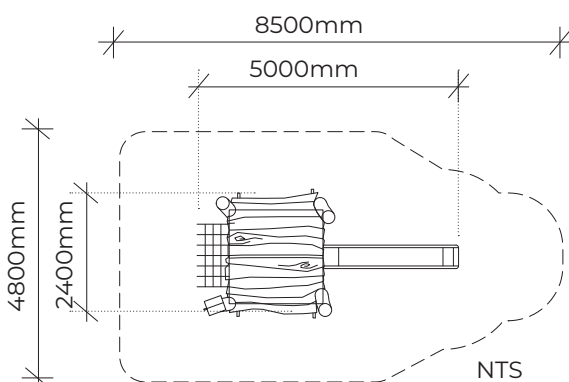
SHACK

Product code: 121-SHA

Category: Elevated Platforms (100-Series)

Dimensions: W 2400 x L 5000mm
H 1500mm +/-

Fall zone: 4800mm x 8500mm



All timber is West Australian Jarrah hardwood.

Timber characteristics and dimensions naturally vary and can be customised to suit your playground needs.

VAN RYT
INDUSTRIES

0421 825 520

vanrytindustries.com.au